



BUILD RIGHT WINDOW

WWW.BUILDRIGHTWINDOW.COM



BUILD RIGHT WINDOW

1-877-215-8677

sale@buildrightwindow.com

www.buildrightwindow.com





BUILD RIGHT WINDOW



Table of content

NEO.....	4
SMART SLIDE NEO - Sliding Doors	5
AMERICAN WINDOWS SYSTEMS	6
ULTRAGLIDE - Sliding Door System	8
GENESIS 75 - Window and Door System	11
IMPERIAL- Window and Door System	12
MC WALL - Facade System	13
NEWAY Exclusive Doors	14
NEWAY PIVOT Doors	17



BUILD RIGHT WINDOW

VINYL SYSTEMS



NEO



SIMPLE STRUCTURES, MINIMALIST DESIGN

Strong angles and minimalist architecture with a visual lightness of design. A simple, symmetrical, cubist shape is the hallmark of NEO. The system meets the highest requirements for energy efficiency and the latest design trends.

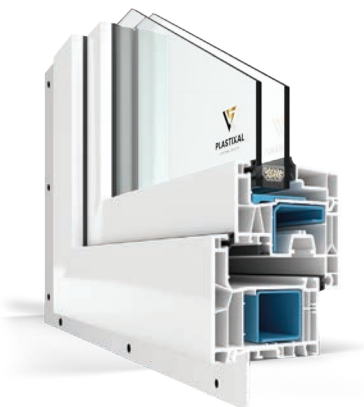
Design squared - slim and clear shapes are obtained both from the outside and from the inside, thanks to a new range of glazing beads with straight contours.

The NEO 3.0 system is one of the few systems on the market with the so-called „classic center seal.“ Safetec inside”, which is a special extruded middle rebate, to which the third, internal seal adheres strongly ensures better tightness of the entire construction, improves thermal and acoustic properties, and makes it more difficult to force open the sash by blocking access to the hardware.

Premium decorative structures - in addition to the profile shape, the design and visual perception of energeto NEO windows are also influenced by new premium decorative structures: woodec and aludec. They provide a very realistic reflection of the chosen structure - timeless wood or on trend metallic or aluminum type.



NEO 3.0



NEO 2.0



SMART SLIDE NEO



SMART-SLIDE NEO PATIO DOORS - ease of use, reliability, and beauty in one.

Smart-slide NEO is all about large glass surfaces, a timeless trend, which will allow you to enjoy great panoramic view and give out the impression of openness and spaciousness.

Smart-slide NEO's maximal dimensions measure at 236 1/5" x 98 2/5" (6000 x 2500 mm). The sash alone can be even 98 2/5" (2500 mm) wide.

Smart-slide NEO sliding doors can be made in two configurations:

Configuration A with one sliding panel;

Configuration C with two panels sliding to the sides.

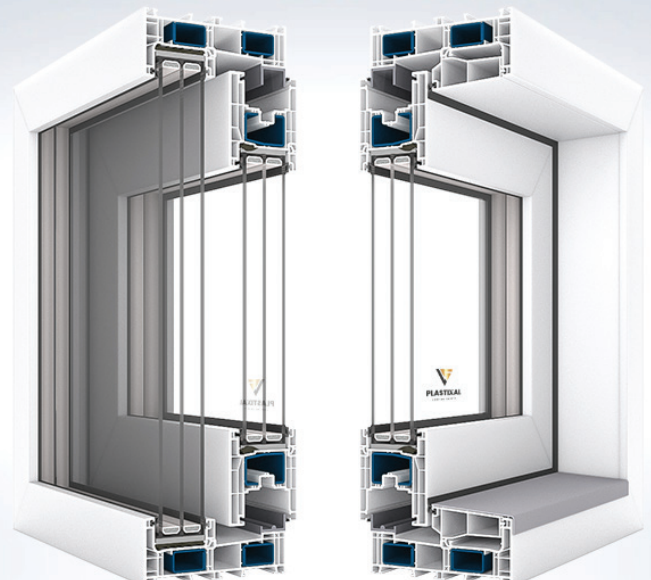
Characteristics:

- Installation depth - 6 1/16" (154 mm)
- Sash installation depth - 3 1/32" in (78 mm)
- Maximum dimensions of the construction - 236 1/5" x 98 2/5" (6000 x 2500 mm)
- Maximum glazing width - 2 9/12" (52/54 mm)
- Possible opening configurations - A, C
- Application - balcony, terrace, windows

DESIGN SQUARED

Smart-slide NEO is a nod to minimalist Scandinavian design. The simple, symmetrical, cubist shapes characteristic of the entire Energeto NEO series and the slim, distinct profiles give the windows extraordinary lightness and elegance.

The non-openable part of the construction was designed in line with the modern trends - in extremely narrow profiles. As a result, you gain bigger glazed area and beautiful views with it. This solution will meet the expectations of even the most demanding customers.

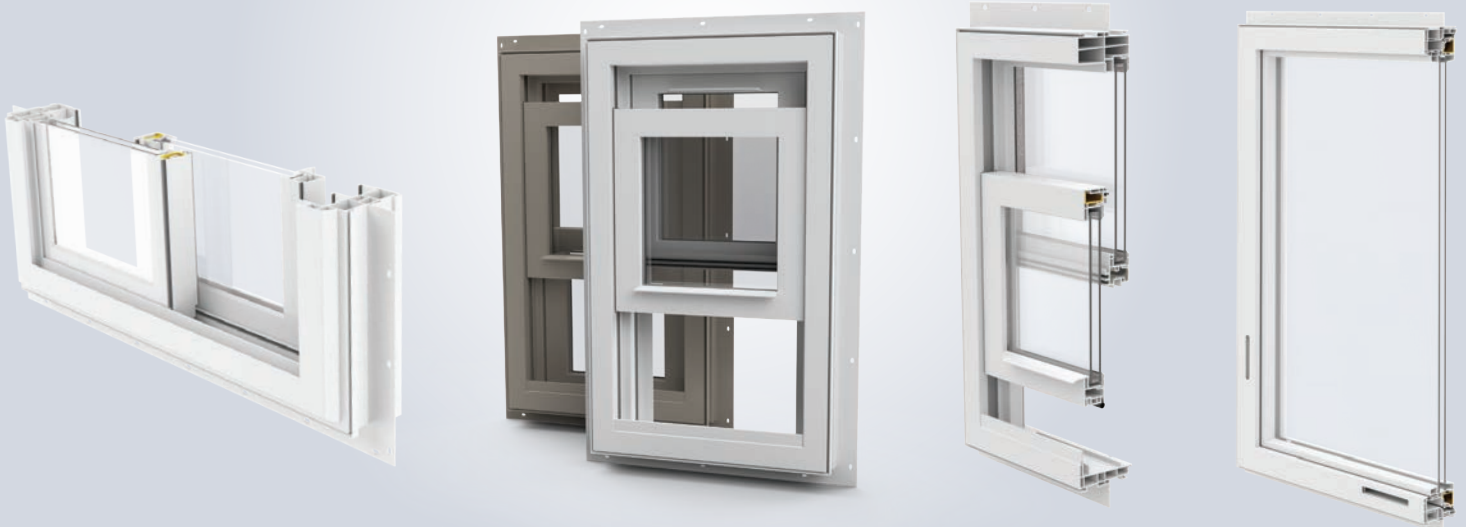




BUILD RIGHT WINDOW

VINYL SYSTEMS

VISION American Windows Systems



PATIO DOOR - Sliding Door system

Include a strong and long lasting patio door in your home with increased security features. Patio doors slide open horizontally, so they require less space to operate. Through large panels of glass we can create bright and airy spaces with a large amount of natural light. Compared to other American window systems, it is highlighted by a higher safety standard. It can be used in both traditional and modern architecture.

- 5 1/8" depth of frame.
- Exterior glazed sash.
- Integral nailing fin for new construction applications.
- Specially designed chamber for a sliding mosquito net.
- Rigid steel reinforcement of sashes, 1,5 mm thick.
- Available without integral nailing fin for replacement window applications.
- Triple weatherseal at interlock.

DOUBLE SLIDE - Sliding Window system

Sliding windows open horizontally from one side to another. While moving on a track, they do not require any extra space to operate. Sliding windows are commonly used in tight walkways, porches and patios. It can offer controlled and smooth access to fresh air. They are made out of our unique vinyl formula and are performance tested for outstanding weathering, color retention and durability.

- Easy installation of hardware.
- Specially designed chamber for mosquito net.
- 3/4" glazing thickness range.
- Integral accessory grooves.
- 3 1/4" depth of frame.
- Two movable sashes.
- Exterior glazed sash.
- Available without integral nailing fin for replacement window applications.
- Triple weatherseal at interlock.
- Integral nailing fin for new construction applications.

SINGLE SLIDE - Sliding Window system

Sliding windows open horizontally while moving on a track. They do not require any extra space to operate, so they are commonly used in tight walkways, porches and patios. They are made out of our unique vinyl formula and are performance tested for outstanding weathering, color retention and durability.

- Easy installation of hardware.
- Specially designed chamber for mosquito net.
- 3/4" glazing thickness range.
- Integral accessory grooves.
- 3 1/4" depth of frame.
- One movable sash.
- Exterior glazed sash.
- Available without integral nailing fin for replacement window applications.
- Triple weather seal at interlock.
- Integral nailing fin for new construction applications.



CASEMENT - Window that opens outward

Casement windows are hinged on one side and open outward to the right or left. It effortlessly opens and closes with a special crank that can be folded away when not in use. It is commonly used above kitchen sinks or a bathtub. Casement windows can offer you excellent energy efficiency compared to other American window profile systems. When screens are included, they are placed on the interior side of a window.

- Integral nailing fin for new construction applications.
- Available without integral nailing fin for replacement window applications.
- 3 1/4" depth of frame.
- Opens and closes with a special crank and a single handle.
- Available an Awning type of a window.
- Exterior glazed sash.
- 3/4" glazing thickness range.
- Integral accessory grooves.
- Excellent triple sealing.

DOUBLE-HUNG - Lifting Window system

The Double-Hung window can be lifted from the bottom or lowered from the top with two independent sashes. They are easy to clean as both of the sashes tilt inward for simple access to the exterior and interior panes of glazing. Double-Hung windows do not require any extra space to operate, so they can maximize both interior and exterior space.

- Available without integral nailing fin for replacement window applications.
- Integral nailing fin for new construction applications.
- Specially designed chamber for mosquito net.
- 3 1/4" depth of frame, 3/4" glazing range.
- Exterior glazed sash.
- Triple weatherseal at interlock.
- Double weatherseal on the sides and upper parts of the window frame.
- Handle integrated with a sash.
- Sloped sill for better drainage of water.
- Firm sill leg and screen chamber that prevent warping and rippling.

SINGLE-HUNG - Lifting Window system

The Single-Hung window sash can be lifted only from the bottom. The main difference compared to the Double-Hung window is that the Single-Hung has a fixed glazing in the upper part. As a consequence of it, they are very energy efficient and easy to operate.

- Integral nailing fin for new construction applications.
- Upper part is made as a fixed glazing.
- Available without integral nailing fin for replacement window applications.
- Triple weatherseal at interlock.
- Integral accessory grooves.
- 3 1/4" depth of frame.
- 3/4" glazing thickness range.
- Exterior glazed sash.
- Handle integrated with a sash.
- Chamber for mosquito net.
- Sloped sill for better drainage of water.
- Firm sill leg and screen chamber that prevent warping and rippling.



BUILD RIGHT WINDOW

ALUMINUM SYSTEMS

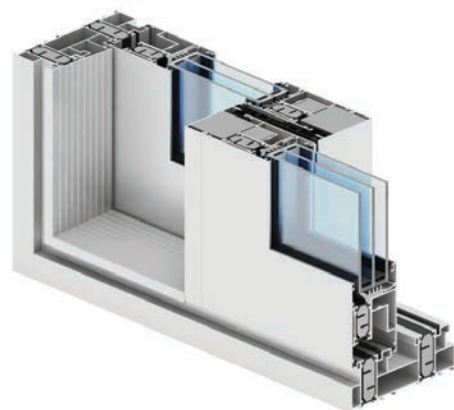


ULTRAGLIDE Sliding Door System



ULTRAGLIDE - SLIDING AND LIFT-SLIDING STRUCTURES

- The UG sliding structures are intended for residential buildings, mainly private and public buildings.
- The system is adapted to the latest requirements relating to thermal performance, aesthetics and safety; available system options: UG low-threshold version, UG - 90° angular solution.
- With its parameters, the Ultraglide system makes it possible to design structures with vary large dimensions of sliding leaves; maximum structure dimensions available in the system: leaf height - $H_s = 129 \frac{9}{10}''$ (3300 mm); sash width - $B_s = 126''$ (3200 mm).
- The Ultraglide system makes it possible to design large - but still stable - sliding windows and doors; maximum sash weight: 250 kg - sliding option; 400 kg - lift-sliding option.
- Structure design: 3, 5 and 7 chamber frame.
- Possible variants with two, three and four components based on the two-rail system.
- Profiles suitable for installation of various hand-locked hardware available on the market and automatic devices.



- Various types of infills can be used (double and triple glazed units).
- System is adapted to the latest requirements relating to thermal performance; the system is equipped with a $\frac{9}{10}''$ or $1 \frac{1}{10}''$ (22 mm/28 mm) wide separator improved with glass fibre, thermal inserts and under-glass inserts to improve cross-sectional thermal performance; available options:UG, UGi and UGi+.
- Used for designing large glazing, which provides natural lighting inside the building and facilitates interior design, with ensured stability, functionality and structure lightness.
- There is possibility of use Flyscreen system - a practical and an extremely functional protection against insects.

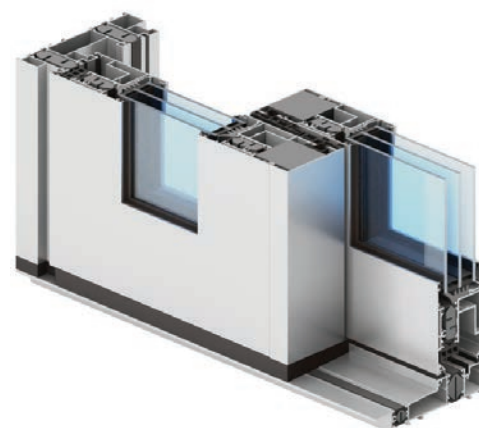


ULTRAGLIDE - LOW THRESHOLD OPTION

ULTRAGLIDE is characterised not only by its functionality, but also economical and aesthetic architectural solutions; a modern structure and lift-sliding hardware in low-threshold UG system provides convenient use, enhanced usefulness and an elegant design; the low-threshold model is a solution to improve building accessibility for disabled people; the low-threshold option prevents edge offset at the door-floor contact and enables threshold-floor flushing.

Characteristic of construction:

- Possible structure variants:
2-, 4- component based on a two-rail frame
- Possible structure variants:
2-component (sash + fix)
4-elements (2 frames + 2 fix)
- Optional to use glazing from the outside, which makes it possible to use large-size, heavy infills.
- There is possibility of use Flyscreen system (Flyscreen - fly screens are a practical and an extremely functional protection against insects).



Ultraglide - low threshold



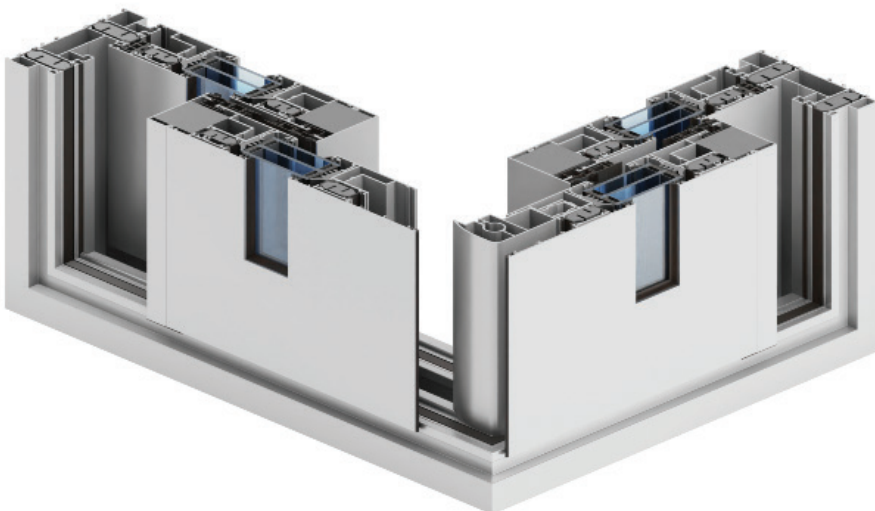
BUILD RIGHT WINDOW

ALUMINUM SYSTEMS



ULTRAGLIDE - ANGULAR SOLUTION 90°

- The system is designed for large glazed corner.
- Characteristics of construction: two- and three-rail frame.
- Possible structure variants: 4-, 6- and 12-components.
- The system is perfect for commercial and private buildings where open space is required: terraces, porches, sunrooms, patios; the door is opened by moving the stud that joins the leaves; as a result, the entire room corner is open, and the space is not divided by the structural stud; for smaller glazing solutions, the sliding corner stud increases the clear opening, which significantly improves the comfort of going in/out.
- There is possibility of use Flyscreen system - a practical and an extremely functional protection against insects.



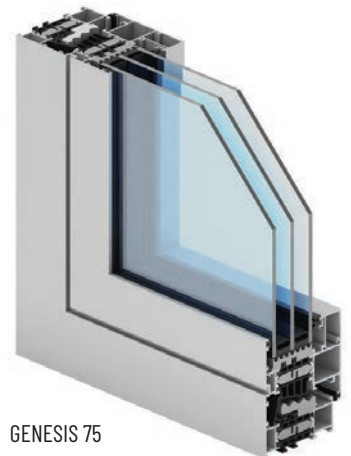


GENESIS 75

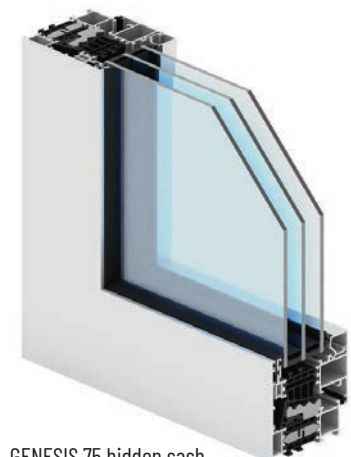


WINDOWS AND DOORS REQUIRING VERY GOOD THERMAL INSULATION

- GENESIS 75 is a modern 3" (75 mm) aluminium system for designing windows and doors requiring very good thermal insulation.
- Genesis 75 is a system intended for designing windows and doors structures in public access buildings as well as single-family and multi-unit residential buildings.
- A wide range of sections/profiles available in the offer of the Genesis 75 system is used to design modern windows, doors and display units that ensure high functionality.
- The Genesis 75 system incorporates modern insulation materials that have just been launched onto the market; apart from a conventional central gasket, an additional thermal gasket has been developed as well; with this solution, it is possible to attain very excellent tightness of windows (air infiltration, water-tightness) as well as innovative appearance and aesthetics.
- GN 75 system also allows to make a corner-to-corner combination of 90 degrees to achieve an impressive glass surface.
- A hidden sash (SU) option is also available.
- There is possibility of use Flyscreen and Insect System.



GENESIS 75



GENESIS 75 hidden sash



BUILD RIGHT WINDOW

ALUMINUM SYSTEMS

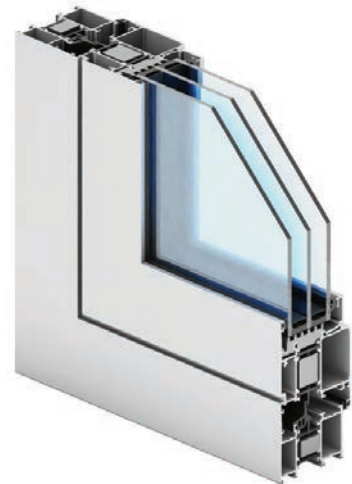


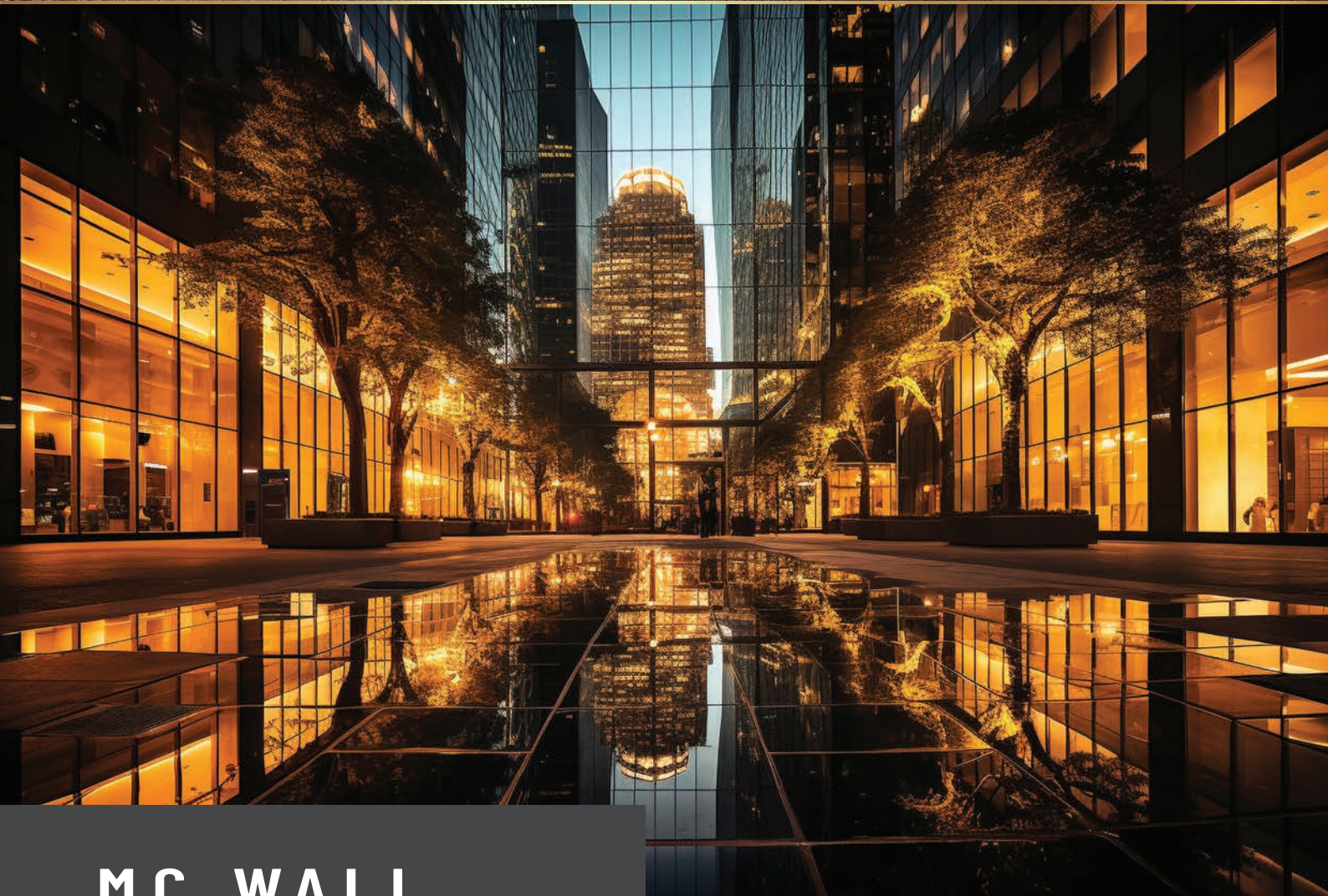
IMPERIAL



RESIDENTIAL AND PUBLIC BUILDINGS

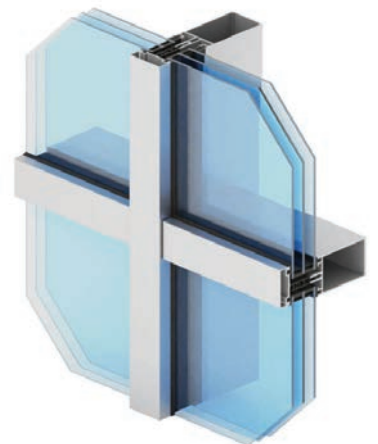
- Tilt&Turn and Fixed Windows designed for use in residential and public buildings, and also allows designing modern window solutions in multiple variants.
- There is possibility of use Flyscreen and Insect System.
- Wide range of glazing allows using all types of single and double cavity, acoustic and anti-burglary glass panes.
- high thermal insulation power was achieved by applying special thermal inserts slid between thermal separators and around the glass pane.
- option of installing windows in facade systems.
- Depth of frame $2\frac{18}{32}$ " (65 mm).
- Depth of sash 3" (74 mm).
- Glazing range $\frac{1}{64}$ " (4-51 mm).





MC WALL curtain wall

- A system used to design modern curtain walls; the system is a basis for facade structures: MC Passive+, MC Glass and MC Fire, MC Glass Fire (a solution for fire protection); the MC Wall system offers many possibilities of creating the installation; the system offers structures to be opened on the facade: parallel windows (MC PW) and roof windows (MC RW).
- Mullion-transom visual width: 2 5/32" (55 mm).
- The curtain wall in the MC Wall system consists of mullions and transoms fastened by stainless steel bolts; there are 2 x Ø 6 stainless steel fasteners per joint; the fasteners ensure very high load capacity of the mullion-transom connection, both in the wind pressure plane and the infill load plane; the solution does not prevent using traditional transom brackets or fastening transoms only with screws attached from the face side.
- A wide range of mullions and transoms suitable for static requirements.
- The insulators can be built accordingly to the infill thickness.
- Application of vapour-proof and breather membranes on the perimeter of the facade is easier, in accordance with new guidelines for installation of aluminium structures.
- A wide range of decorative cover caps makes it possible to obtain varied visual effects on the curtain wall.

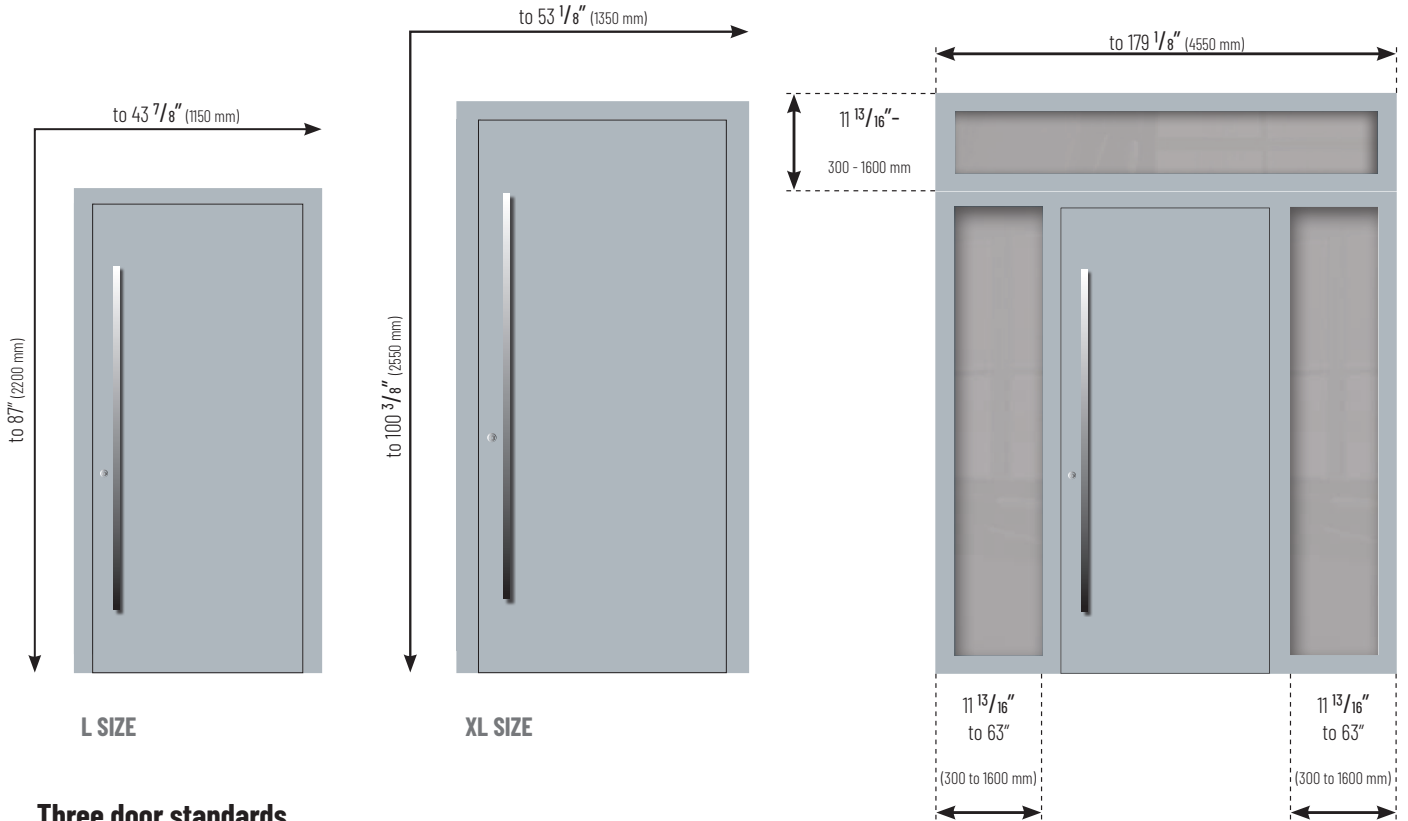


NEWAY

EXCLUSIVE DOORS



NEWAY panel doors sizes and types of constructions



Three door standards

High standard, excellent quality, reliability

NEWAY double door bolts in all standards
 feature exclusive black mouldings and an insert

Maximum possibilities, highest standard

<p>SILVER</p> <ul style="list-style-type: none"> Multipoint locking system with hooks and ratchet locks Locking and unlocking with a key 	<p>GOLD</p> <ul style="list-style-type: none"> Multipoint automatic locking system with hooks and ratchet locks Integrated daylight release Control via fingerprint reader or numeric keypad The drive reliably and automatically locks and unlocks the door without the use of a key Burglary-resistant locking <p>RC 2</p>	<p>PLATINUM</p> <ul style="list-style-type: none"> Full-motion electric multipoint lock with hooks and double steel bolt locks. Automatic closing and opening the door. Wide range of control options from anywhere in the world. Convenient automation solutions and readiness to integrate the door into a smart home system. The highest technological capabilities of all available equipment. Burglary-resistant locking <p>RC 3</p>
---	---	--





BUILD RIGHT WINDOW

ALUMINUM SYSTEMS



Visit our website www.newwaydoors.com
and find over 70 NEWAY exclusive door models



ALUMINUM SYSTEMS



BUILD RIGHT WINDOW

NEWAY Pivot Doors with liquid metal surface



NEWAY Pivot Doors with liquid metal surface





BUILD RIGHT WINDOW

ALUMINUM SYSTEMS



ALUMINUM SYSTEMS



BUILD RIGHT WINDOW







BUILD RIGHT WINDOW



BUILD RIGHT WINDOW

1-877-215-8677 

sale@buildrightwindow.com 

www.buildrightwindow.com 